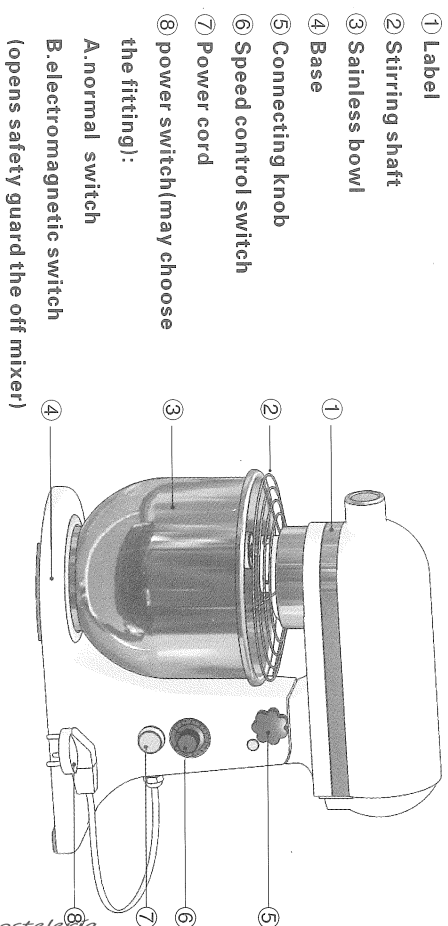


Food Mixer Operation Instruction

The food mixer has various functions: kneading dough, mixing stuffing, beating egg, mixing milk etc. It has adopted the advanced electronic voltage transformation and converting stepless speed control in China to meet the demands of various speed mixing. There is also overload protection in it. It can be handled easily with stable and safe operation.

- ① Planetary transmission at super high speed, mixing can be completed in the shortest time
- ② Full mechanical drive and reliable performance.
- ③ Constant force moment with stepless speed control.
- ④ Head can be raised.
- ⑤ Overload protection in it.
- ⑥ Switch lock.

Model	Total Weight (kg)	Speed Of Stirring Shaft (r/min)	Power (w)	Overall Dimensions (mm)	Egg	Flour (kg)	Total Milk Quantity (kg/time)
BSC	17	75-660	200	420*240*420	12	0.6	1.3
	18	75-660	280	410*240*425	14	0.7	1.5



- ① The standard value of operating alternating current which the mixer uses is AC 220V/50 HZ. (Please use electric outlet with 3 wide contacts and good grounding)
- ② Installation of stirrer: Loosen connecting knob 5 of head, raise head and fix it, place stirrer on stirring shaft and turn it 45° counter clockwise.
- ③ Installation of stainless bowl: Place stainless bowl on bowl seat and turn bowl to fix it.
- ④ Procedure of starting mixer: After materials are filled in, lower the head and tighten connecting knob 5, turn speed control switch to lowest speed, turn power switch 7 on and then set required speed gradually after stirrer is in normal operation.
- ⑤ When operation is completed, turn speed control switch to the lowest speed firstly, then turn power switch off and unplugging.

Trouble and solution

- ① Wire stirrer: Used for stirring liquid ingredients, such as cream and eggs.
- ② Flat stirrer: Used for stirring batters, powder, and shredded ingredients, such as filling.
- ③ Hook stirrer: Used for stirring more sticky ingredients, such as dough.

Notes

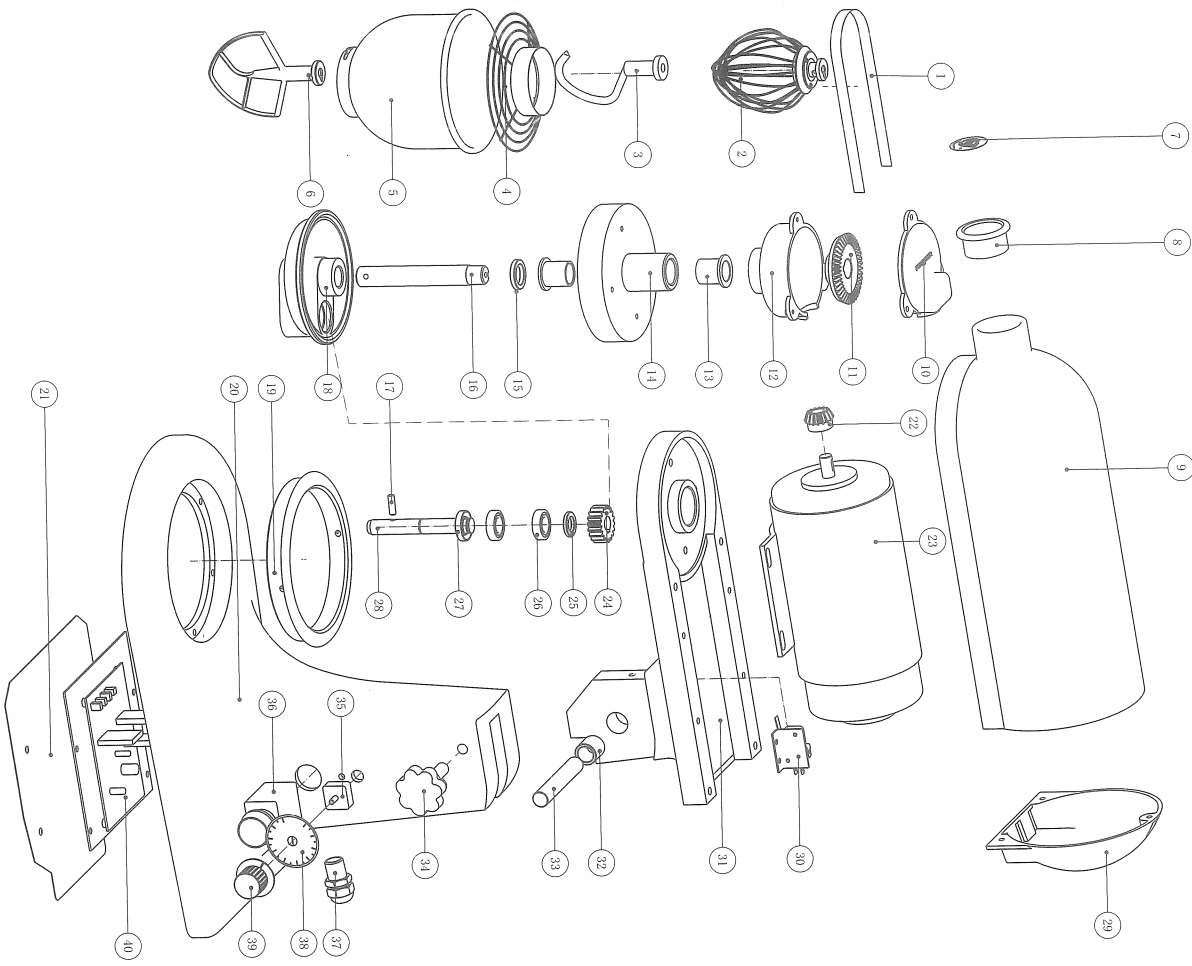
- ① Electric outlet must be provided with a good ground wire to assure mixer's good grounding through it. There will be electrical shock if no ground wire or an improper grounding mounted. The ground wire can never be connected with gas pipe, water pipe, lightning rod or telephone line. Electric leakage should be checked after the mixer in stallation
- ② Don't place your hand into stirring bowl during operation. make sure the mixer is unplugged before installation.
- ③ Don't operate mixer beyond the limited time to avoid reducing its service life.
- ④ The mixer should be mounted on a stable and clean place. Keep it away from overheated or overwet places and away from equipment which has strong electromagnet or can produce strong electromagnet.
- ⑤ Keep mixer clean constantly. Unplug it before maintenance. Clean it with a piece of soft and a bit wet cloth. Don't clean it with liquid or spraying detergent.

Trouble and solution

Trouble	Reason	Solution
Stirring shaft doesn't work after the mixer starts	Power line is connected improperly	Check the plug
	Fuse tube was blown	Replace the fuse with a new one(5A)
Motor temperature is overheating and rotating speed slows down	Voltage is too low	Check voltage
	Overloaded	Decrease materials
Stirrer strikes on bowl	Improper stirrer is mounted	Choose a proper stirrer
	Stirrer is deformed	Check and correct the stirrer

Warning!

If the equipments out of function, please make sure be serviced by professional person or please turn to special service point!



SER.NO.	PART.NO.	PART NAME	SER.NO.	PART.NO.	PART NAME
1	50402004	Long labels	21	50405007	Toe-boards
2	40101500	Wire whip	22	50405076	Small spiral bevel gear
3	40102000	Hook	23	50501004	Motor
4	40101800	Safety guard	24	40101200	Planet gear
5	50401001	Bowl	25	50405010	Planet gear pad
6	40101900	Flat beater	26	50301018	Bearing 6901
7	50402071	Round stickers	27	50310001	Oil seal 24X12X5
8	50405014	Front cover	28	40101300	Planet shaft
9	40100800	Cover	29	50405013	Back cover
10	50405003	Upper cover of gear	30	50506057	Distance switch
11	50405008	Large spiral bevel gear	31	40100400	Rotating base
12	50405006	Lower cover of gear	32	50405004	Shaft set
13	50405005	Gear set	33	40100300	Rotating shaft
14	40100500	Inner gear	34	50405070	Plum wrench40X10X35
15	40101400	Ring gear lining	35		Switch base
16	40100900	Gear shaft	36	50506033	Power switch
17	50306015	Pin 5X16	37	50514001	Waterproof joint PG9
18	40101000	Operation frame	38	50402088	Speed mark
19	40100700	Bowl seat	39	50506042	Speed control
20	40100100	Base	40	50508001	PCB