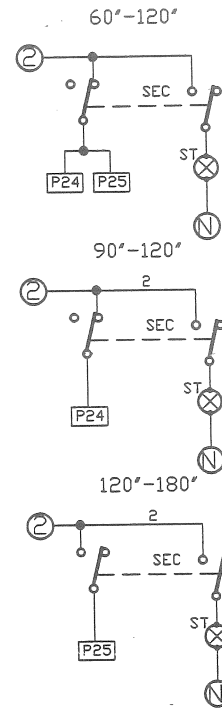
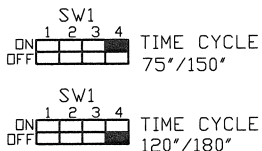
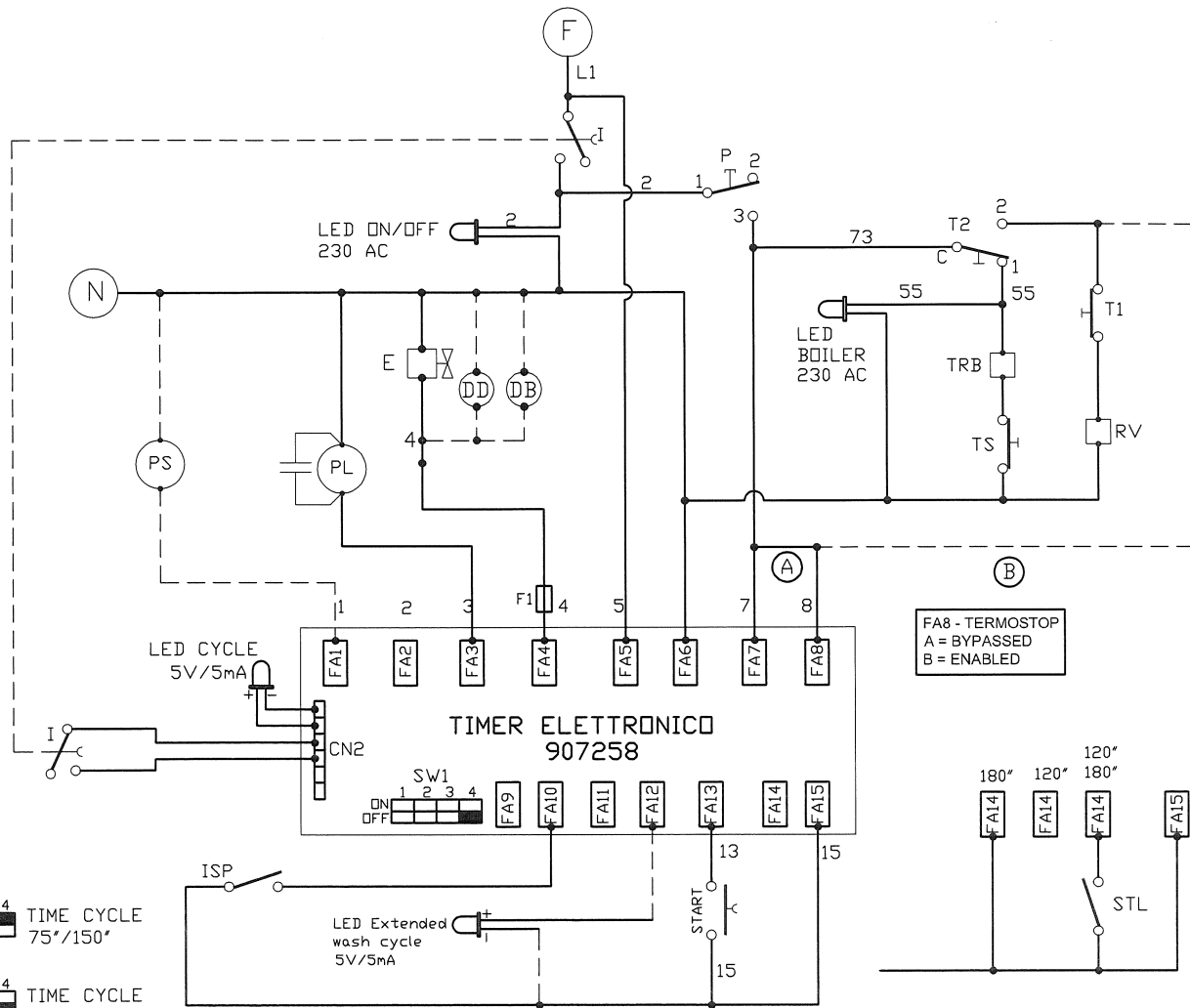
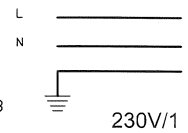
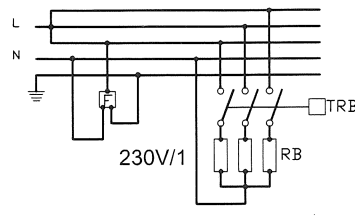
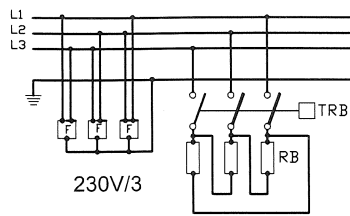
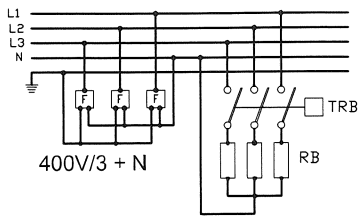


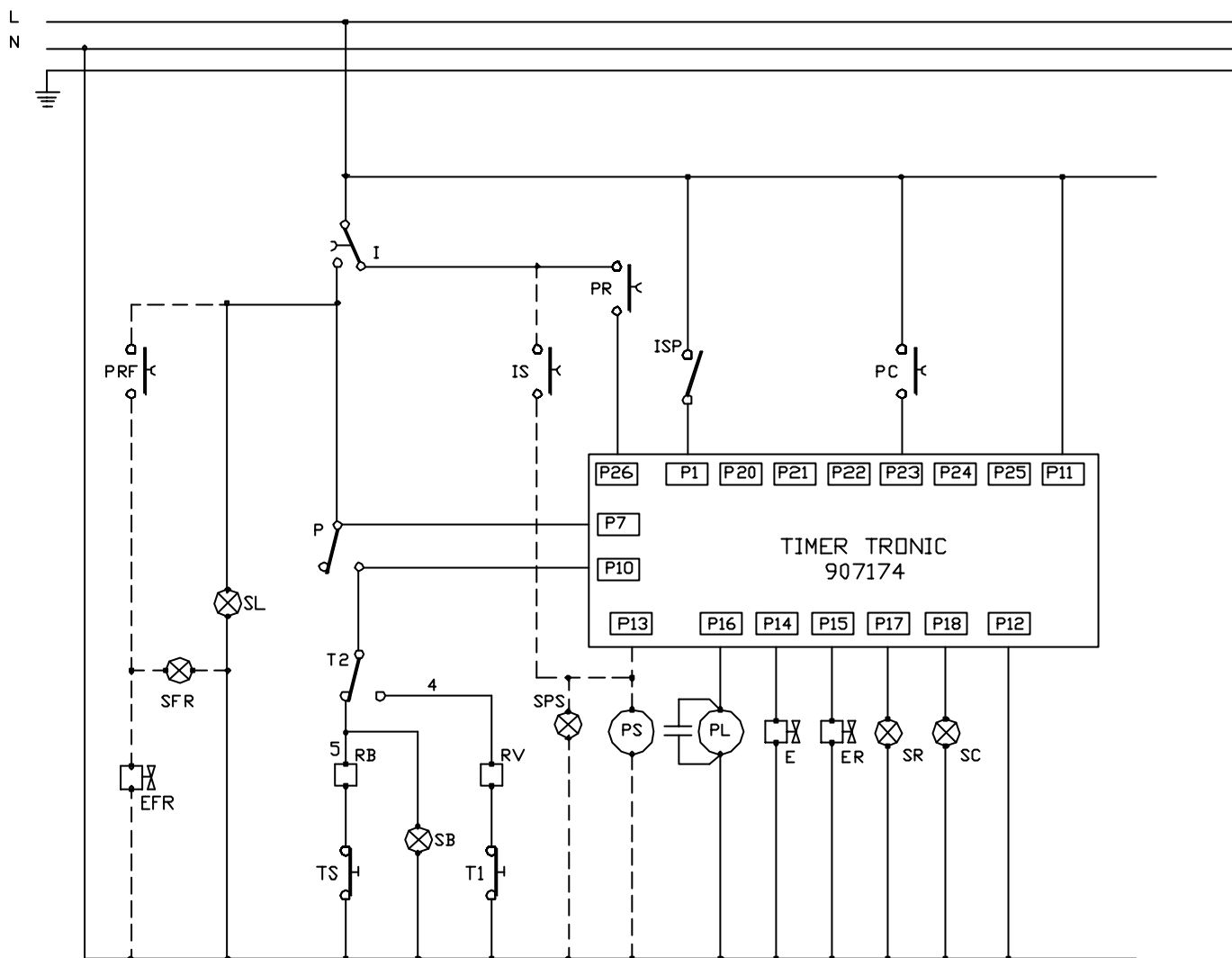
TEMPI DI LAVAGGIO



| | I | GB | F | D | E |
|-------|-------------------------------|-----------------------------|--------------------------------|-------------------------------|-----------------------------|
| DB | DOSATORE BRILLANTANTE | RINSE-AID METERING UNIT | DOSEUR LIQUIDE DE RINCAGE | KLARSPULER-DOSIERER | DDSIFICADOR ABRILLANTADOR |
| DD | DOSATORE DETERGENTE | DETERGENT METERING UNIT | DOSEUR PRODUIT DE LAVAGE | SPULMITTEL-DOSIERER | DDSIFICADOR DETERGENTE |
| E | ELETTROVALVOLA RISCIAQUO | RINSING SOLENOID VALVE | ELECTROVANNE RINCAGE | MAGNETVENTIL SPULEN | ELETTROVALVULA ENJAGUE |
| ER | ELETTROVALVOLA RIGENERAZIONE | REGENERATION SOLENOID VALVE | ELECTROVANNE REGENERATION | MAGNETVENTIL REGENER. | ELETTROVALVULA REGENERACION |
| F | FILTRI ANTIDISTURBO | ANTI - JAMMING FILTERS | FILTRE ANTI- DERANGEMENT | ANTISTORUNGSFILTER | FILTROSACUSTICDS |
| I | INTERRUTTORE GENERALE | MASTER SWITCH | INTERRUPTEUR GENERAL | ALLGEMEINER SCHAIL TER | INTERRUPTOR GENERAL |
| ISP | INTERRUTTORE SICUREZZA PORTA | DOOR SAFETY DEVICE | SECURITE' PORTE | SICHERHEITSDRRICHTUNG TUR | SEGURIDAD PUERTA |
| P | PRESSOSTATO VASCA | TANK PRESSURE SWITCH | PRESSOSTAT CUVE | DRUCKMESSER WANNE | PRESSOSTATO CUBA |
| PL | POMPA LAVAGGIO | WASH PUMP | POMPE LAVAGE | POMPE WASCHUNG | BOMBA DE LAVADO |
| PS | POMPA SCARICO | DISCHARGE PUMP | POMPE D'EVACUATION | PUMPE AUSLASS | BOMBA DE DESCARA |
| RB | RESISTENZA BOILER | BOILER RESISTANCE | RESISTANCE CHAUFFE-EAU | WIDERSTAND BOILER | RESISTENCIA BOILER |
| RIG. | PULSANTE RIGENERAZIONE | | | | |
| RV | RESISTENZA VASCA | TANK RESISTANCE | RESISTANCE CUVE | WIDERSTAND WANNE | RESISTENCIA CUBA |
| SB | SPIA BOILER | BOILER PILOT LIGHT | LAMPE-TEMOIN CHAUFFE-EAU | KONTROLLEUCHE BOILER | TESTIGUDO BOILER |
| SC | SPIA CICLO | CYCLE PILOT LIGHT | LAMPE-TEMOIN CYCLE | KONTROLLEUCHE ZIKLUS | TESTIGUDO CICLO |
| SL | SPIA LINEA | POWER PILOT LIGHT | LAMPE-TEMOIN LIGNE | KONTROLLEUCHE LINIE | TESTIGUDO LINEA |
| SR | SPIA RIGENERAZIONE | REGENERATION PILOT LIGHT | LAMPE-TEMOIN REGENERATION | KONTROLL REGENERIERERVDORGANG | TESTIGUDO REGENERACION |
| START | PULSANTE CICLO | CYCLE BUTTON | BOUDON CYCLE | DRUCKNESSER ZYKLUS | BOUDON CICLO |
| T1 | TERMOSTATO VASCA | TANK THERMOSTAT | THERMOSTAT CUVE | THERMOSTAT WANNE | TERMOSTATO CUBA |
| T2 | TERMOSTATO BOILER | BOILER THERMOSTAT | THERMOSTAT CHAUFFE-EAU | THERMOSTAT BOILER | TERMOSTATO BOILER |
| TRB | TELERUTTORE RESISTENZA BOILER | CONTROL SWITCH CONTACT | BOBINE TELERUPTEUR CHAUFFE-EAU | KONTAKT FERNSCHALTER BOILER | CONT. TELERRUPTOR BOILER |
| TS | TERMOSTATO SICUREZZA | SAFETY DEVICE THERMOSTAT | THERMOSTAT DE SECURITE' | THERMOSTAT SICHERHEILT | TERMOSTATO SEGURIDAD |



| | I | GB | F | D | E |
|-------|-------------------------------|--------------------------|-------------------------------|-----------------------------|---------------------------|
| DB | DOSATORE BRILLANTANTE | RINSE-AID METERING UNIT | DOSEUR LIQUIDE DE RINCAGE | KLARSPULER-DOSIERER | DOSIFICADOR ABRILLANTADOR |
| DD | DOSATORE DETERGENTE | DETERGENT METERING UNIT | DOSEUR PRODUIT DE LAVAGE | SPULMITTEL-DOSIERER | DOSIFICADOR DETERGENTE |
| E | ELETTROVALVOLA RISCIAQUO | RINSING SOLENOID VALVE | ELECTROVANNE RINCAGE | MAGNETVENTIL SPULEN | ELECTROVALVULA ENJAGUE |
| F | FILTRI ANTIDISTURBO | ANTI - JAMMING FILTERS | FILTRE ANTI-DE-RANGEMENT | ANTISTORUNGSFILTER | FILTROSACUSTICOS |
| I | INTERRUTTORE GENERALE | MASTER SWITCH | INTERRUPTEUR GENERAL | ALLGEMEINER SCHAL TER | INTERRUPTOR GENERAL |
| ISP | INTERRUTTORE SICUREZZA PORTA | DOOR SAFETY DEVICE | SECURITE' PORTE | SICHERHEITSVORRICHTUNG TUR | SEGURIDAD PUERTA |
| P | PRESSOSTATO VASCA | TANK PRESSURE SWITCH | PRESSOSTAT CUVE | DRUCKMESSER WANNE | PRESOSTATO CUBA |
| PL | POMPA LAVAGGIO | WASH PUMP | POMPE LAVAGE | POMPE WASCUNG | BOMBA DE LAVADO |
| PS | POMPA SCARICO | DISCHARGE PUMP | POMPE D'E'VACUATION | PUMPE AUSLASS | BOMBA DE DESCARA |
| RB | RESISTENZA BOILER | BOILER RESISTANCE | RESISTANCE CHAUFFE-EAU | WIDERSTAND BOILER | RESISTENCIA BOILER |
| RV | RESISTENZA VASCA | TANK RESISTANCE | RESISTANCE CUVE | WIDERSTAND WANNE | RESISTENCIA CUBA |
| LB | LED BOILER | BOILER LED | | | |
| LC | LED CICLO | CYCLE LED | | | |
| LL | LED LINEA | POWER LED | | | |
| START | PULSANTE CICLO | CYCLE BUTTON | BOUTON CYCLE | DRUCKNESSER ZYKLUS | BOTON CICLO |
| STL | SELETORE TEMPI LAVAGGIO | | | | |
| T1 | TERMOSTATO VASCA | TANK THERMOSTAT | THERMOSTAT CUVE | THERMOSTAT WANNE | TERMOSTATO CUBA |
| T2 | TERMOSTATO BOILER | BOILER THERMOSTAT | THERMOSTAT CHAUFFE-EAU | THERMOSTAT BOILER | TERMOSTATO BOILER |
| TRB | TELERUTTORE RESISTENZA BOILER | CONTROL SWITCH CONTACT | BOMBE TELERUPTEUR CHAUFFE-EAU | KONTAKT FERNSCHALTER BOILER | CONT. TELERRUPTOR BOILER |
| TS | TERMOSTATO SICUREZZA | SAFETY DEVICE THERMOSTAT | THERMOSTAT DE SECURITE' | THERMOSTAT SICHERHEILT | TERMOSTATO SEGURIDAD |



| | I | GB | F | D | E |
|-----|------------------------------|-----------------------------|----------------------------|------------------------------|--------------------------------|
| E | ELETTROVALVOLA RISCIAQUO | RINSING SOLENOID VALVE | ELECTROVANNE RINCAGE | MAGNETVENTIL SPULEN | ELETTROVALVOLA ENJAGUE |
| EFR | ELETTROVALVOLA RISC. FREDDO | COLD RINSING SOLENOID VALVE | ELECTROVANNE RINCAGE FROID | MAGNETVENTIL KALTSPULEN | ELETTROVALVOLA ENJAGUE EN FRIO |
| ER | ELETTROVALVOLA RIGENERAZIONE | REGENERATION SOLENOID VALVE | ELECTROVANNE REGENERATION | MAGNETVENTIL REGENER. | ELETTROVALVOLA RIGENERACION |
| I | INTERRUTTORE GENERALE | MASTER SWITCH | INTERRUPTEUR GENERAL | ALLGEMEINER SCHALT TER | INTERRUPTOR GENERAL |
| IS | PULSANTE SCARICO | DISCHARGE BUTTON | BOUTON D'EVACUATION | TASTE AUSLASS | BOTON DE DESCARA |
| ISP | INTERRUTTORE SICUREZZA PORTA | DOOR SAFETY DEVICE | SECURITE' PORTE | SICHERHEITSVORRICHTUNG TUR | SEGURIDAD PUERTA |
| P | PRESSOSTATO VASCA | TANK PRESSURE SWITCH | PRESSOSTAT CUVE | DRUCKMESSER WANNE | PRESSOSTATO CUBA |
| PC | PULSANTE CICLO | CYCLE BUTTON | BOUTON CYCLE | DRUCKMESSER ZYKLUS | BOTON CICLO |
| PFR | PULSANTE RISCIAQUO FREDDO | COLD RINSING BUTTON | BOUTON RINCAGE FROID | TASTE KALTSPULEN | BOTON ENJAGUE EN FRIO |
| PL | POMPA LAVAGGIO | WASH PUMP | POMPE LAVAGE | POMPE VASCHUNG | BOMBA DE LAVADO |
| PR | PULSANTE RIGENERAZIONE | REGENERATION BUTTON | BOUTON REGENERATION | TASTE REGENERIERVORGANG | BOTON RIGENERACION |
| PS | POMPA SCARICO | DISCHARGE PUMP | POMPE D'EVACUATION | PUMPE AUSLASS | BOMBA DE DESCARA |
| RB | RESISTENZA BOILER | BOILER RESISTANCE | RESISTANCE CHAUFFE-EAU | WIDERSTAND BOILER | RESISTENCIA BOILER |
| RV | RESISTENZA VASCA | TANK RESISTANCE | RESISTANCE CUVE | WIDERSTAND WANNE | RESISTENCIA CUBA |
| SB | SPIA BOILER | BOILER PILOT LIGHT | LAMPE-TENDON CHAUFFE-EAU | KONTROLLEUCHE BOILER | TESTIGUO BOILER |
| SC | SPIA CICLO | CYCLE PILOT LIGHT | LAMPE-TENDON CYCLE | KONTROLLEUCHE ZYKLUS | TESTIGUO CICLO |
| SFR | SPIA RISCIAQUO FREDDO | COLD RINSING PILOT LIGHT | LAMPE-TENDON RINCAGE FROID | KONTROLLEUCHE KALTSPULEN | TESTIGUO ENJAGUE EN FRIO |
| SL | SPIA LINEA | POWER PILOT LIGHT | LAMPE-TENDON LJGNE | KONTROLLEUCHE LJNIE | TESTIGUO LINEA |
| SPS | SPIA POMPA SCARICO | | | | |
| SR | SPIA RIGENERAZIONE | REGENERATION PILOT LIGHT | LAMPE-TENDON REGENERATION | KONTROLL REGENERIERERVORGANG | TESTIGUO RIGENERACION |
| T1 | TERMOSTATO VASCA | TANK THERMOSTAT | THERMOSTAT CUVE | THERMOSTAT WANNE | TERMOSTATO CUBA |
| T2 | TERMOSTATO BOILER | BOILER THERMOSTAT | THERMOSTAT CHAUFFE-EAU | THERMOSTAT BOILER | TERMOSTATO BOILER |
| TS | TERMOSTATO SICUREZZA | SAFETY DEVICE THERMOSTAT | THERMOSTAT DE SECURITE' | THERMOSTAT SICHERHEIT | TERMOSTATO SEGURIDAD |

020/024/030 A PS - N19/N22/N27/R20/R23/R29 A PS RF
CON TIMER ELETTRONICO 120"